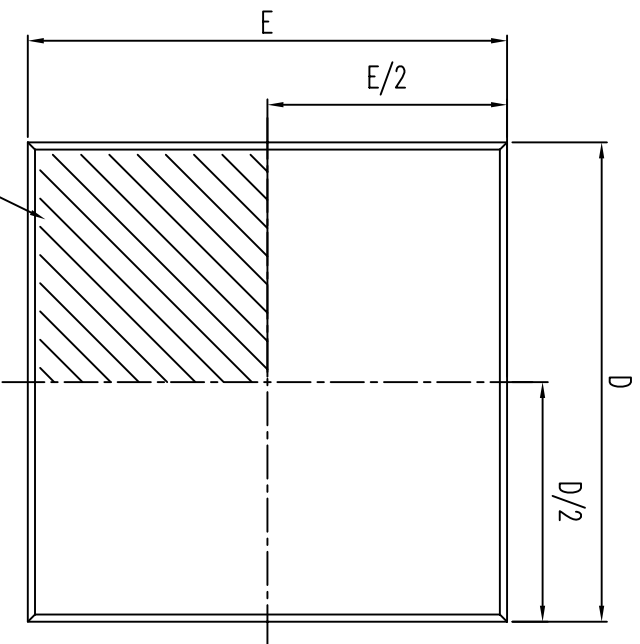
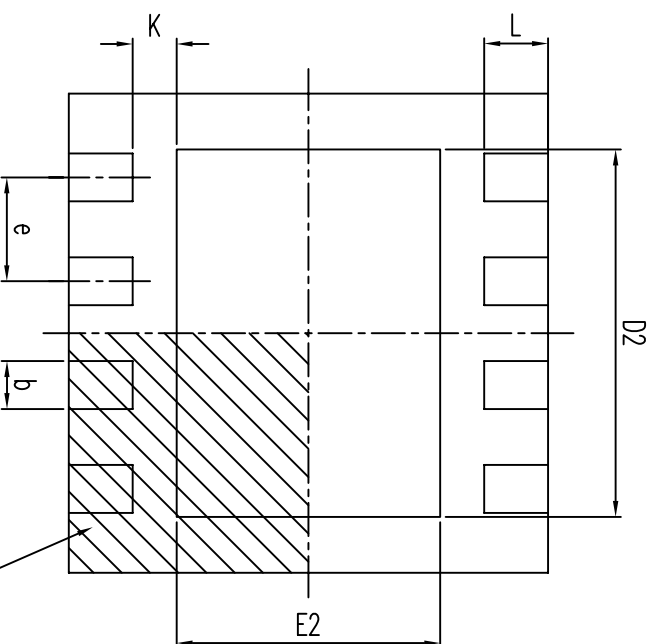


REV.	DESCRIPTION	BY	DATE
ORIG.	DRAWING ISSUE	SANDY CHEN	02.26.2015

TOP VIEW



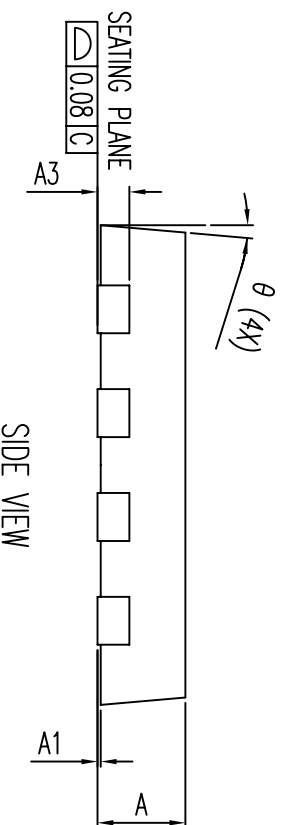
BOTTOM VIEW



SYMBOL	DIMENSION IN MM		
	MIN.	NOM.	MAX.
A	0.50	0.55	0.60
A1	0	0.02	0.05
A3	0.20 REF.		
D	3.00 BASIC		
D2	1.60		2.50
E	3.00 BASIC		
E2	1.35		1.75
e	0.65 BASIC		
b	0.25	0.30	0.35
L	0.30	0.40	0.50
K	0.20		
θ	0°		14°
JEDEC			

TERMINAL #1
INDEX AREA
(D/2 X E/2)

TERMINAL #1
INDEX AREA
(D/2 X E/2)



CWT Chant World Technology Inc.		<input type="checkbox"/>	<input checked="" type="checkbox"/>
TITLE UDFN 8L PACKAGE OUTLINE		XXXXXX	±
BODY SIZE : 3 X 3 X 0.55 MM		±0.035	ROUGH-
DESIGNED	SANDY CHEN 02.26.2015	±0.1	NESS
CHECKED	SANDY CHEN 02.26.2015	±0.2	SCALE
APPROVED	SANDY CHEN 02.26.2015	XX	30 : 1
UNIT	FILE NAME : UDFN8L(3x3x0.55)	QTY	
DWG. NO. : CW-PW-002A			
			A3